

THIS DRAWING IS UNPUBLISHED. RELEASED FOR PUBLICATION 20  
 © COPYRIGHT 20 BY TYCO ELECTRONICS CORPORATION. ALL RIGHTS RESERVED.

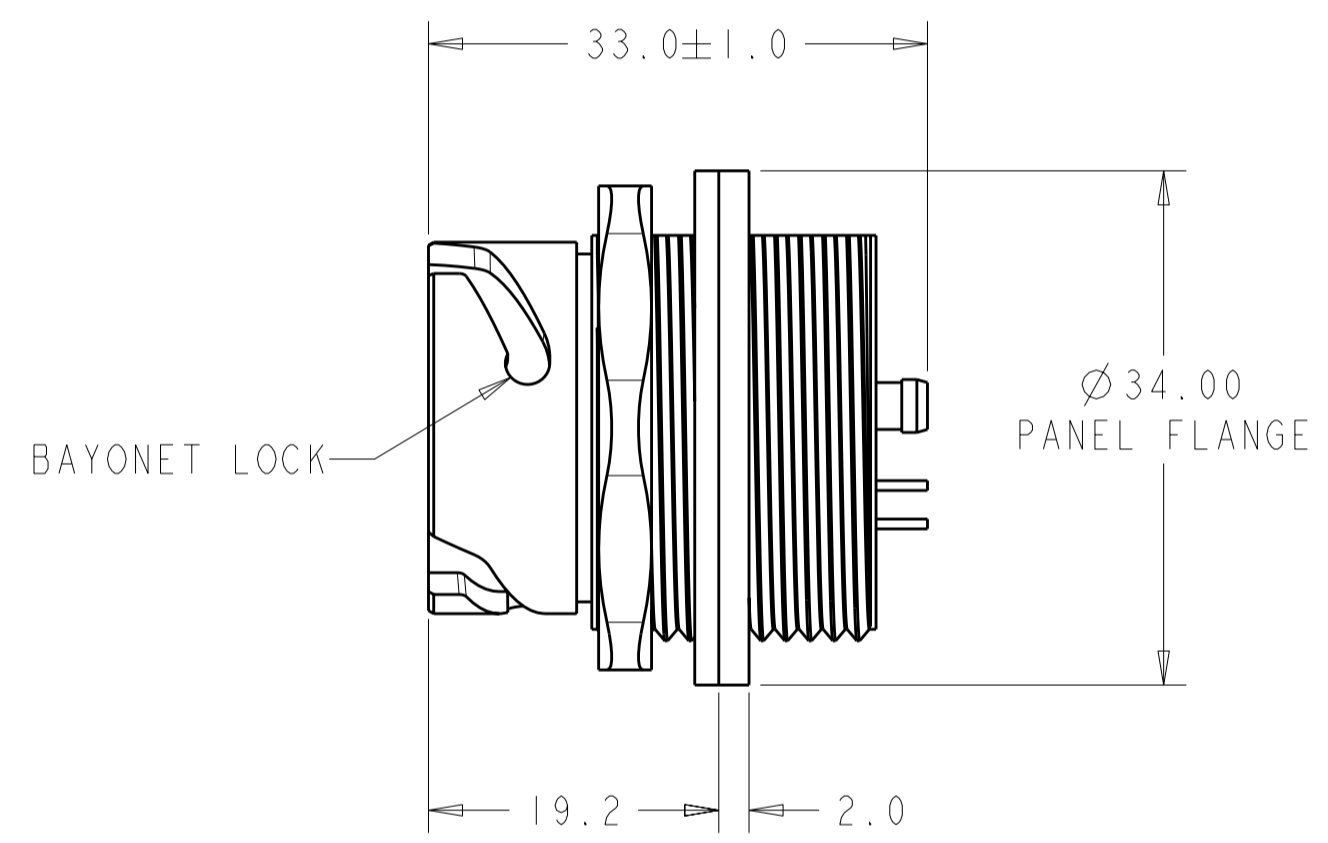
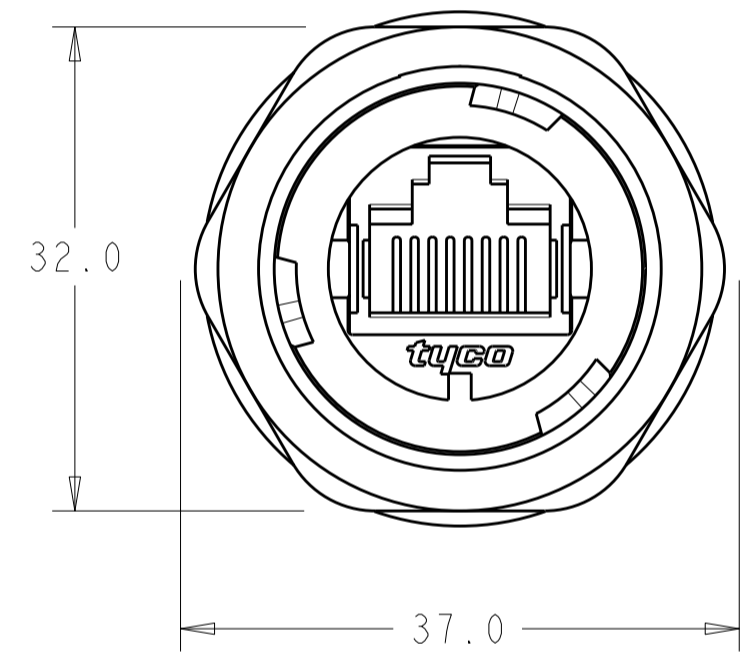
LOC		DIST		REVISIONS			
P	LTR	DESCRIPTION	DATE	DWN	APVD		
	A3	REVISED PER ECO-09-010846	05MAY2009	SS	MS		

RJ45 MODULAR JACK, PCB, 8 POSITION HOUSING:  
 POLYESTER PBT CONTACTS: PHOSPHOR BRONZE,  
 GOLD OVER NICKEL

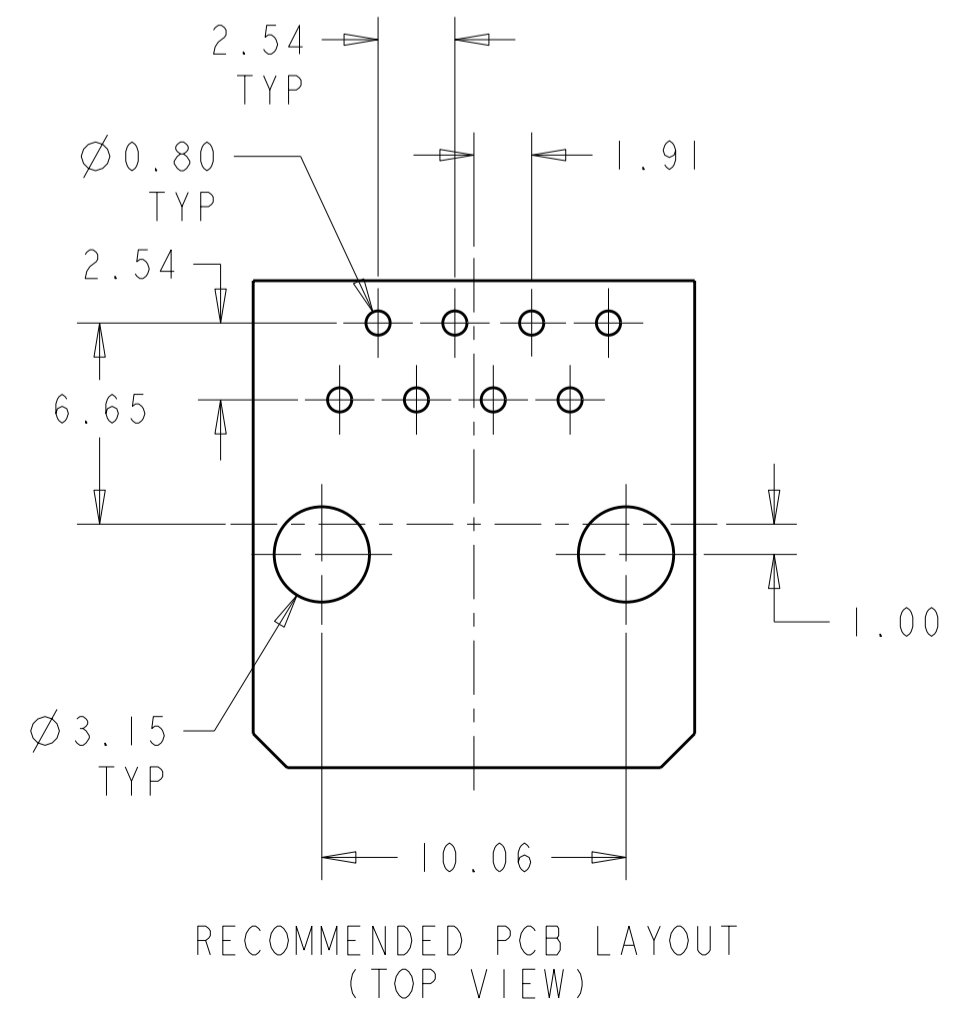
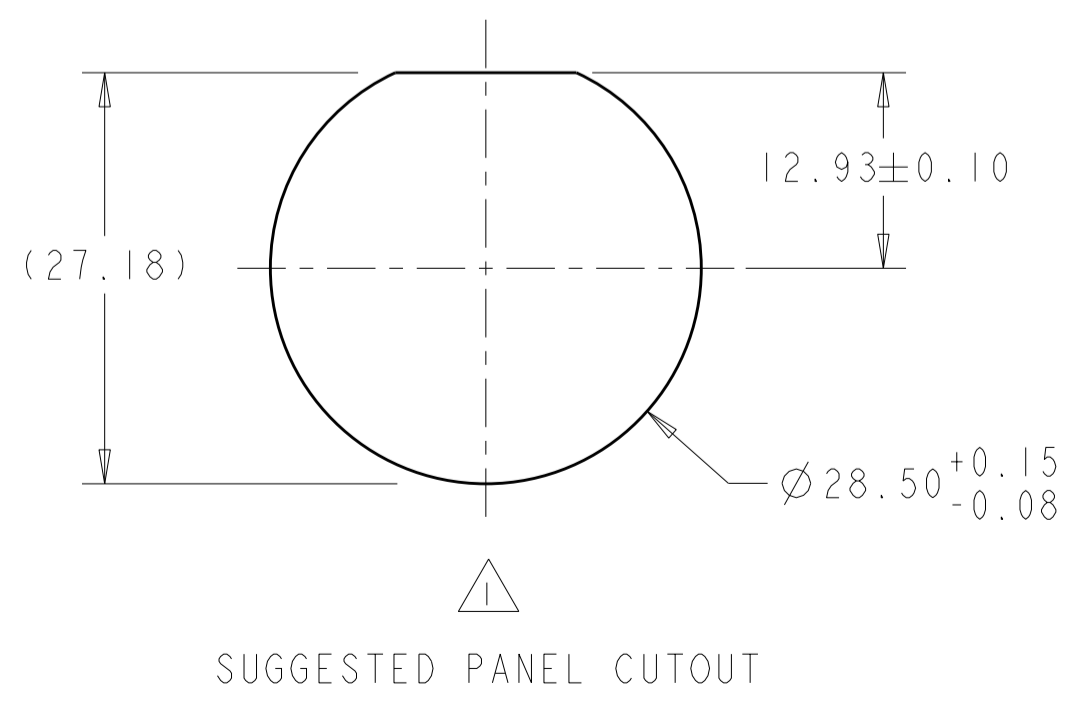
RECEPTACLE HOUSING  
 POLYESTER, COLOR: BLACK

PANEL GASKET  
 ELASTOMER, COLOR: ORANGE

PANEL NUT  
 BRASS, NICKEL PLATED



- 1. CONNECTOR MAY BE FRONT OR REAR MOUNTED TO A MAXIMUM PANEL THICKNESS OF 3.2 mm.
- 2. PANEL NUT AND PANEL GASKET ARE PACKAGED ASSEMBLED IN POLYBAG.
- 3. PCB THICKNESS 1.6mm.



THIS DRAWING IS A CONTROLLED DOCUMENT FOR TYCO ELECTRONICS CORPORATION. IT IS SUBJECT TO CHANGE AND THE CONTROLLING ENGINEERING ORGANIZATION SHOULD BE CONTACTED FOR THE LATEST REVISION.		DWN S. WELDON 27SEP2006	Tyco Electronics Harrisburg, PA 17105-3608	
DIMENSIONS: mm		CHK D. COURTS 27SEP2006	NAME RECEPTACLE KIT, RJ45 PCB MODULAR JACK, ODVA INDUSTRIAL ETHERNET	
TOLERANCES UNLESS OTHERWISE SPECIFIED: 0 PLC ±0.3 1 PLC ±0.2 2 PLC ±0.10 3 PLC ± 4 PLC ± ANGLES ±° FINISH		APVD D. COURTS 27SEP2006	RESTRICTED TO	
MATERIAL		PRODUCT SPEC 108-2198	SIZE A2	CAGE CODE 00779
		APPLICATION SPEC 114-13136	DRAWING NO 1776900	REV A3
		WEIGHT -	SCALE 2:1	SHEET 1 OF 1
		CUSTOMER DRAWING		